

# UHP-IFS

## ACTIVE IF SPLITTER/COMBINER

COMBINER

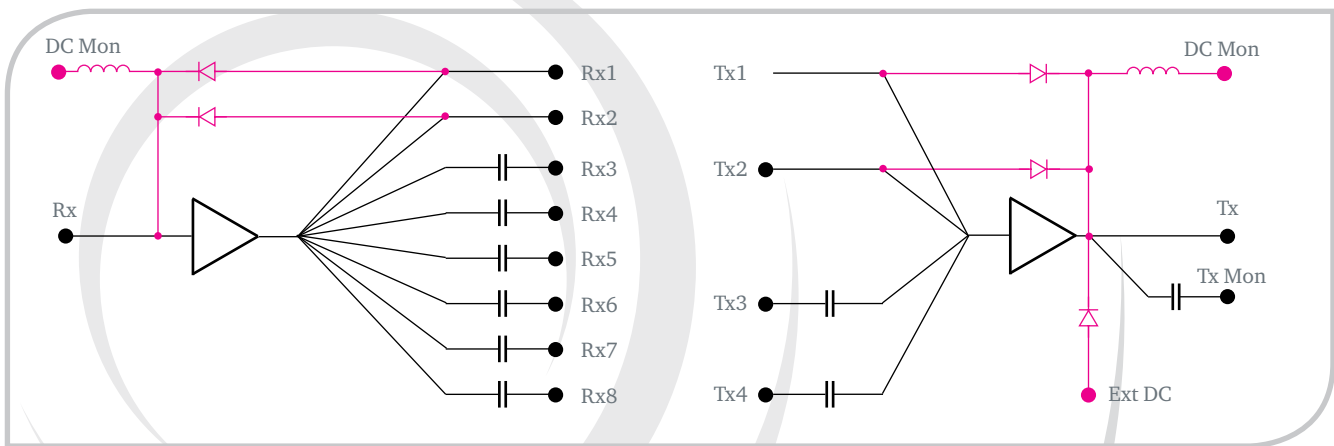
SPLITTER

DC INJECTOR

The UHP-IFS is a L-Band 8-way active splitter and 4-way active combiner in a compact 1U mini-chassis. UHP-IFS is designed as an IF subsystem for UHP-based hubs and advanced terminals, but can be used in any other L-Band systems. There is DC and 10 MHz pass from two ports of the splitter to the common Rx port and similar connectivity of two ports of combiner to the common Tx port. Current flow is restricted in one direction, into the common port only. There is also a separate EXT DC port to facilitate BUC and LNB inject. Auxiliary DC MON ports allow measuring the actual voltage supplied to the RF equipment without having to disconnect the cables and disrupt the network.

Active UHP-IFS system provides the amplification of signals and allows them to share and summarize without loss. The UHP-IFS is powered from the voltage applied to power BUC or LNB. The presence of supply voltage is displayed by special indicator. Universal mount allows installing the UHP-IFS system into front or rear side of a standard 19" telecommunication rack. It can be installed at any angle to prevent excessive bending of coaxial cables and simplifying maintenance compounds. UHP-IFS can be used to work with a variety of L-Band satellite equipment.

Universal mount allows installing the UHP-IFS system into front or rear side of a standard 19" telecommunication rack. It can be installed at any angle to prevent excessive bending of coaxial cables and simplifying maintenance compounds. UHP-IFS can be used to work with a variety of L-Band satellite equipment.



PARAMETER	SPLITTER	COMBINER
Number of ports	8	4
Frequency Range	950-2150 MHz	950-1750 MHz
Loss	-2 ±2 dB	0 ±3 dB
Frequency response	±2 dB	±3 dB
1 dB Gain Compression Point	2 dBm	2 dBm
Isolation between ports	14 dB	13 dB
DC pass-through	up to 48VDC, 3A; ports Rx1 and Rx2	up to 48VDC, 3A; ports Tx1 and Tx2
10 MHz pass-through	ports Rx1 and Rx2	ports Tx1 and Tx2
Power	6-48 VDC via ports: Tx1, Tx2, Rx1, Rx2, Rx7, Rx8 or Ext DC; up to 3W	
Maximal DC load	up to 48VDC, 3A	up to 48VDC, 3A
Size / Weight	487x44x56 mm; 1.5 kg	
Environmental	0°...+50° C, humidity up to 90%	



### IFS Circuit Switching Diagram For UHP TDM/TDMA Redundant Hub

